

Czech Balloon Trophy 2024

Jindrichuv Hradec

FLIGHTDATA

a) Date	24/08/2024 AM	e) Min dist. ILP to goals	-
b) Sunrise / Sunset	06:00/20:00	f) Launch period	Green flag + 30min
c) PZs in force	All	g) Briefing times	05:00/17:00
d) Launch area	9815/4422	h) Solo flight	No
		i) Search period	4Hrs.
		j) QNH	1013

TASK Nr. 16, CALCULATED RATE OF APPROACH TASK (CRAT) Logger: Goal # / Marker #1

POHODA CUP – SPONSORED BY POHODA

a) Marker colour	Yellow	
b) Task/Marker order	In order	
c) Marker drop	Free	
e) Scoring p/a/as	-	
f) Task data R15.9.2	a.A	9834/4710 MMA R50
	a.B	9820/4712 MMA R50
	b. Description scoring area(s) and validity times:	

Target A active: xx:00:00 – xx:09:59, xx:20:00 – xx:29:59, xx:40:00 – xx:49:59

Target B active: xx:10:00 – xx:19:59, xx:30:00 – xx:39:59, xx:50:00 – xx:59:59

Fabric of the target A or B: active all the time.

Note: To get a valid result with the marker, the marker must be on the ground in the MMA during the valid period.

You can make a valid score with the logger, but you will scored to the active target, in the valid period. A result scored with loggermark #1 can never be better as 50m.

TASK Nr. 17, FLY ON Logger: Goal #1 & #2 / Marker #2

a) Marker colour	-	
b) Task/Marker order	In order	
c) Marker drop	-	
e) Scoring p/a/as	-	
f) Task data R15.5.2	a. Method of declaration	Into logger
	b. Number permitted Goals	2
	c. Goals available for declarations	Any coordinate on the competition map
	d. Min dist. declaration point to goal	1km

Your FON-Goals in Task #17 must be minimum 1km away from any other goal mentioned in this TDS.

You will be scored in 3D to 2500ft or your own declared altitude.

TASK Nr. 18, GORDON BENNETT MEMORIAL Logger: Goal # / Marker

a) Marker colour	Green	
b) Task/Marker order	In order	
c) Marker drop	Free	
e) Scoring p/a/as	-	
f) Task data R15.8.2	a.	9580/5070
	b. Description scoring area(s)	See sketch

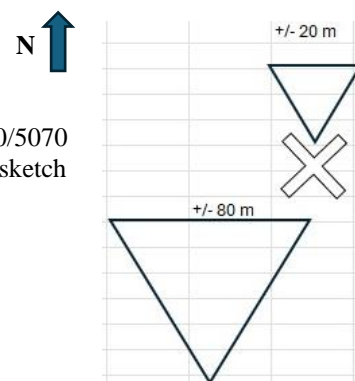
Your result is the distance from your markerdrop inside the scoring area, to the target.
Smallest result is best.

Distance of closest point of small triangle to target: +/- 2 meter

Distance of closest point of big triangle to target: +/- 10 meter

Target is out of scoring areas, so not valid.

P. 1/2 See other page



TASK Nr. 19, MINIMUM DISTANCE DOUBLE DROP**Logger: Goal # / Marker #****LANCAR CUP – SPONSORED BY LANCAR**

- | | |
|-----------------------|------------------------------|
| a) Marker colour | Red and Light Blue |
| b) Task/Marker order | In order |
| c) Marker drop | Free |
| e) Scoring p/a/as | - |
| f) Task data R15.15.2 | a. Description scoring areas |



See sketch

The centerpoint of the scoring area is on coordinate 9656/5376

The scoring area has a radius of 50 meters.

Your marker must be in opposite quadrants, so A/A or B/B

The result is the distance between the 2 marks. Smallest result is best.

You can only get a result with 2 valid markerdrops inside the scoring areas.

Markerbag on tape is inside the scoring area.

TASK Nr. 20, MAXIMUM DISTANCE DOUBLE DROP**Logger: Goal # / Marker #3 & #4**

- | | |
|-----------------------|-------------------------------------|
| a) Marker colour | Marker #3 and Marker #4 into logger |
| b) Task/Marker order | In order |
| c) Marker drop | - |
| e) Scoring p/a/as | - |
| f) Task data R15.18.2 | a. Description scoring area(s) |

See note.

Note:

Scoring Area A: 9700/5700 with R500 meter

Scoring Area B: 9600/5600 with R500 meter

Marker #3 must be in Scoring Area A.

Marker #4 must be in Scoring Area B.

Your result is the 2D distance between the 2 marks inside the scoring areas. Greatest result is best.

TASK Nr. 21, JUDGE DECLARED GOAL**Logger: Goal # / Marker #5**

- | | |
|----------------------|----------|
| a) Marker colour | Pink |
| b) Task/Marker order | In order |
| c) Marker drop | Free |
| e) Scoring p/a/as | - |
| f) Task data R15.2.2 | a. |

9690/5964 MMA R50m